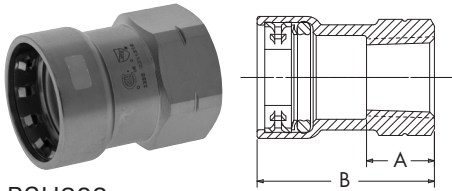
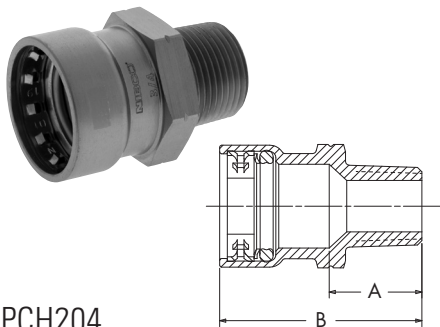


ADAPTERS



PCH203
Adapter P x F – Carbon Steel

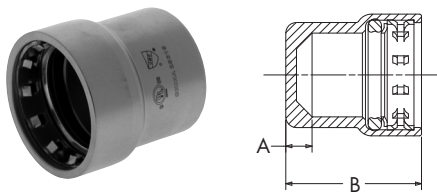
| NOM. SIZE | APPROX. NET WT./LBS. | DIM. A INCHES | DIM. B INCHES |
|-----------|----------------------|---------------|---------------|
| 1/2 | .234 | .73 | 1.83 |
| 3/4 | .360 | .83 | 1.97 |
| 3/4 x 1/2 | .340 | .83 | 1.97 |



PCH204
Adapter P x M – Carbon Steel

| NOM. SIZE | APPROX. NET WT./LBS. | DIM. A INCHES | DIM. B INCHES |
|-----------|----------------------|---------------|---------------|
| 1/2 | .206 | .98 | 2.09 |
| 3/4 | .338 | 1.06 | 2.20 |
| 1 | .460 | 1.14 | 2.52 |
| 1 1/4 | .941 | 2.17 | 4.02 |
| 1 1/2 | 1.167 | 2.27 | 4.20 |

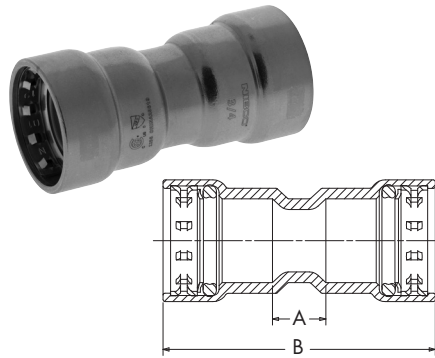
CAPS



PCH217
Cap P – Carbon Steel

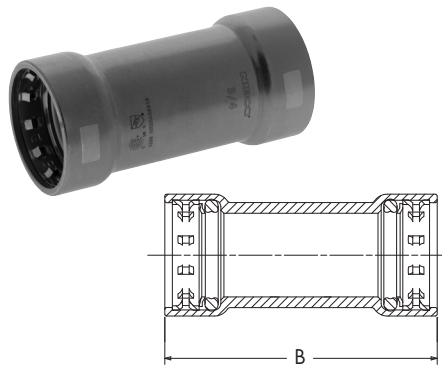
| NOM. SIZE | APPROX. NET WT./LBS. | DIM. A INCHES | DIM. B INCHES |
|-----------|----------------------|---------------|---------------|
| 1/2 | .173 | .30 | 1.40 |
| 3/4 | .258 | .36 | 1.50 |
| 1 | .370 | .33 | 1.71 |
| 1 1/4 | .559 | .73 | 2.58 |
| 1 1/2 | .729 | .85 | 2.78 |

COUPLINGS



PCH200
Coupling P x P – Carbon Steel

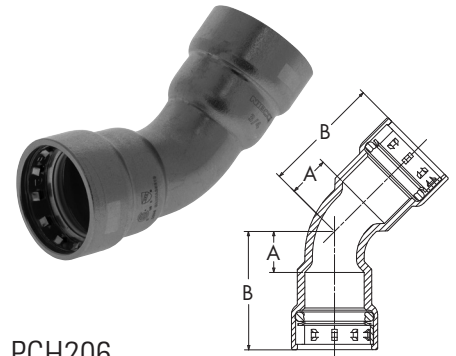
| NOM. SIZE | APPROX. NET WT./LBS. | DIM. A INCHES | DIM. B INCHES |
|-----------|----------------------|---------------|---------------|
| 1/2 | .274 | .61 | 2.81 |
| 3/4 | .371 | .80 | 3.09 |
| 1 | .548 | .61 | 3.36 |
| 1 1/4 | .916 | .76 | 4.46 |
| 1 1/2 | 1.202 | .88 | 4.74 |



PCH201 (No Stop)
Repair Coupling P x P – Carbon Steel

| NOM. SIZE | APPROX. NET WT./LBS. | DIM. B INCHES |
|-----------|----------------------|---------------|
| 1/2 | .260 | 2.81 |
| 3/4 | .349 | 3.09 |
| 1 | .544 | 3.36 |
| 1 1/4 | .934 | 4.46 |
| 1 1/2 | 1.180 | 4.74 |

ELBOWS



PCH206
45° Elbow P x P – Carbon Steel

| NOM. SIZE | APPROX. NET WT./LBS. | DIM. A INCHES | DIM. B INCHES |
|-----------|----------------------|---------------|---------------|
| 1/2 | .324 | .63 | 1.73 |
| 3/4 | .427 | .75 | 1.89 |
| 1 | .669 | .89 | 2.26 |
| 1 1/4 | 1.015 | .99 | 2.84 |
| 1 1/2 | 1.384 | 1.13 | 3.06 |

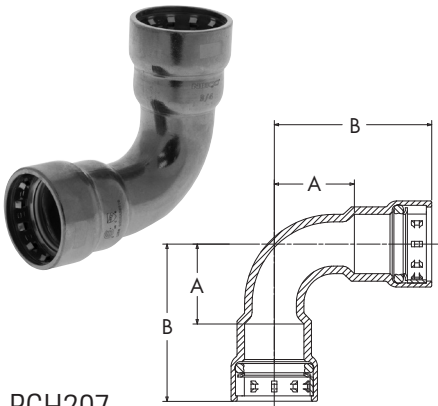


PCH206-2
45° Elbow Ftg x P – Carbon Steel

| NOM. SIZE | APPROX. NET WT./LBS. | DIMENSIONS INCHES | | |
|-----------|----------------------|-------------------|------|------|
| | | A | B | C |
| 1/2 | .300 | .64 | 1.97 | 1.74 |
| 3/4 | .408 | .75 | 2.13 | 1.89 |
| 1 | .663 | .89 | 2.52 | 2.27 |
| 1 1/4 | 1.020 | .99 | 2.99 | 2.84 |
| 1 1/2 | 1.327 | 1.13 | 3.07 | 3.06 |

Visit our website for the most current information.

ELBOWS (Cont.)



PCH207
90° Elbow P x P – Carbon Steel

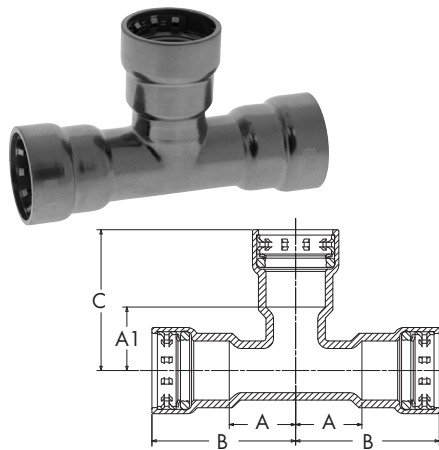
| NOM. SIZE | APPROX. NET WT./LBS. | DIM. A INCHES | DIM. B INCHES |
|-----------|----------------------|---------------|---------------|
| 1/2 | .392 | 1.20 | 2.30 |
| 3/4 | .534 | 1.40 | 2.54 |
| 1 | 1.307 | 1.75 | 3.13 |
| 1 1/4 | 1.230 | 2.01 | 3.86 |
| 1 1/2 | 1.712 | 2.27 | 4.20 |



PCH207-2
90° Elbow Ftg x P – Carbon Steel

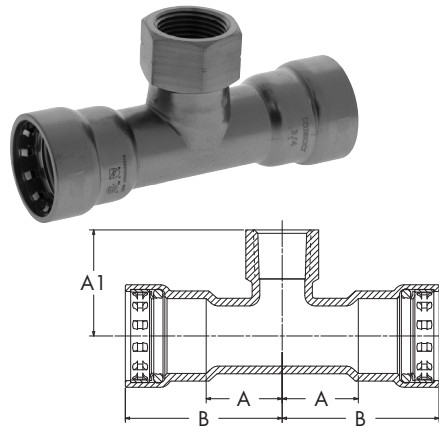
| NOM. SIZE | APPROX. NET WT./LBS. | DIMENSIONS INCHES | | |
|-----------|----------------------|-------------------|------|------|
| | | A | B | C |
| 1/2 | .361 | 1.17 | 2.56 | 2.65 |
| 3/4 | .431 | 1.50 | 2.80 | 2.27 |
| 1 | .807 | 1.70 | 3.39 | 3.08 |
| 1 1/4 | 1.228 | 2.04 | 4.04 | 3.89 |
| 1 1/2 | 1.765 | 2.34 | 4.21 | 4.27 |

TEES



PCH211
Tee P x P x P – Carbon Steel

| NOM. SIZE | APPROX. NET WT. LBS. | DIMENSIONS INCHES | | | |
|-----------------|----------------------|-------------------|------|------|------|
| | | A | B | C | A1 |
| 1/2 | .417 | 1.00 | 2.10 | 2.06 | .96 |
| 3/4 | .416 | 1.15 | 2.29 | 2.27 | 1.13 |
| 3/4 x 3/4 x 1/2 | .537 | 1.15 | 2.29 | 2.20 | 1.10 |
| 1 | 1.040 | 1.26 | 2.63 | 2.63 | 1.26 |
| 1 x 1 x 1/2 | .940 | 1.26 | 2.63 | 2.33 | 1.23 |
| 1 x 1 x 3/4 | .991 | 1.26 | 2.63 | 2.42 | 1.28 |



PCH212
Tee P x P x F – Carbon Steel

| NOM. SIZE | APPROX. NET WT. LBS. | DIMENSIONS INCHES | | |
|-----------------|----------------------|-------------------|------|------|
| | | A | B | A1 |
| 3/4 | .740 | 1.15 | 2.29 | 1.58 |
| 3/4 x 3/4 x 1/2 | .681 | 1.15 | 2.29 | 1.55 |

Visit our website for the most current information.